



*drive*

---



Grange Side Rails  
Instructions for use

# CONTENTS

---

<b>1. INTRODUCTION .....</b>	<b>2</b>
<b>2. CONTACT INFORMATION .....</b>	<b>3</b>
<b>3. SYMBOL DEFINITION .....</b>	<b>4</b>
<b>4. PART IDENTIFICATION .....</b>	<b>4</b>
4.1 Standard Variant .....	4
4.2 Divan Variant .....	4
<b>5. FITTING THE SIDE RAILS .....</b>	<b>5</b>
5.1 Standard Variant .....	5
5.2 Divan Variant .....	7
<b>6. GENERAL WARNINGS BEFORE USE .....</b>	<b>9</b>
<b>7. USE .....</b>	<b>10</b>
<b>8. MAINTENANCE .....</b>	<b>11</b>
<b>9. CLEANING .....</b>	<b>11</b>
<b>10. SPECIFICATION.....</b>	<b>12</b>

# 1. INTRODUCTION

---

Thank you for purchasing the Grange Side Rails. These instructions for use detail the fitting procedure and use of the Grange Standard Side Rails and Grange Divan Side Rails with recommended Drive DeVilbiss Healthcare beds. As a result, some fitting and operational procedures detailed in this document may not apply to your product; refer to the contents page to identify the sections relevant to your product type. Please ensure that you understand all instructions, if you have any questions concerning the fitting or operation of the product please contact your equipment provider or Drive DeVilbiss Healthcare Ltd. who will provide you with expert professional advice. Drive DeVilbiss Healthcare recommend that side rails are fitted and maintained by Drive DeVilbiss Healthcare service engineers or qualified personnel.

The bed's instructions for use are to be read carefully in combination with this information to ensure that all relevant information is understood.



- Whilst every care has been taken by Drive DeVilbiss Healthcare to ensure that the design of the side rails meets the relevant safety standards, beds fitted with side rails can still pose a potential risk of death from entrapment and asphyxiation, particularly if fitted poorly / incorrectly.
- All staff responsible for the purchase, selection for use, and the adjustment of bed side rails should be aware of the potential risk of entrapment and asphyxiation when a bed is occupied, and when the bed and patient are left unattended.
- Care must be taken when positioning and adjusting side rails to ensure that any spaces between the side rails, mattress or bed frame will not allow entrapment of the occupant's head or body. In addition, consideration should be given to the size and physiological condition of the occupant and an assessment undertaken to ensure that the spacing between the bars of the side rails, proximity to the bed's head end and the side of the mattress are not big enough to present a potential risk of entrapment and / or asphyxiation. All staff responsible are to be aware that increased vigilance is required when nursing patients in beds fitted with side rails.
- If there is any doubt about the assembly or suitability of the side rails contact the provider of the equipment or Drive DeVilbiss Healthcare Ltd., incorrectly fitted side rails can lead to death.
- Before side rails are fitted to the bed, a risk assessment must be performed on a patient by patient basis to assess suitability.

## 2. CONTACT INFORMATION

---

For any service, warranty, sales or customer service information regarding this product please contact your provider or if in doubt contact Drive DeVilbiss Healthcare Ltd. at the following address:

Drive DeVilbiss Healthcare Ltd.  
Sidhil Industrial Estate,  
Holmfield,  
Halifax,  
West Yorkshire,  
HX2 9TN,  
UK

Please quote the product serial number on all correspondence. This can be found on the identification label located on the underside of the grab handle.

### **Service & Maintenance**

Tel: +44 (0)1422 233136

Fax: +44 (0)1422 233010

### **Spares**

Tel: +44 (0)1422 233138

Fax: +44 (0)1422 233010

### **Customer Service**

Tel: +44 (0) 845 0600 333

Fax: +44 (0) 845 0600 334

[info@drivedevilbiss.co.uk](mailto:info@drivedevilbiss.co.uk)

[www.drivedevilbiss.co.uk](http://www.drivedevilbiss.co.uk)

For Service & Support outside the United Kingdom, please contact the local distribution company from where this equipment was purchased. Failure to do so may result in the manufacturer's warranty becoming void.

This product may be used on multiple beds and by multiple patients.

### 3. SYMBOL DEFINITION

The following symbols are found on this product:



Warning  
Beware of potential hazard



Refer to instructions for use - Recommended  
Failure to read the instructions for use could introduce a hazard



Refer to instructions for use - Mandatory  
Failure to read the instructions for use could introduce a hazard

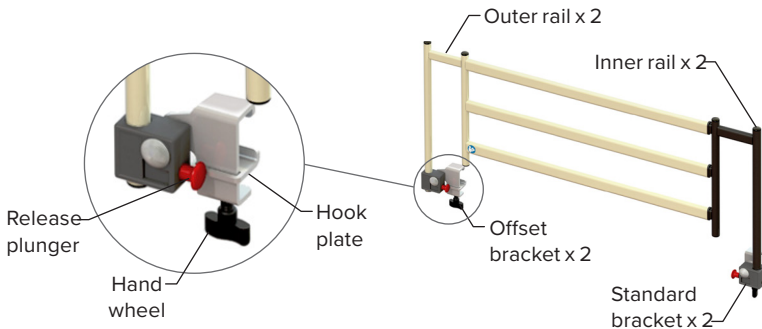


Side rail over extended

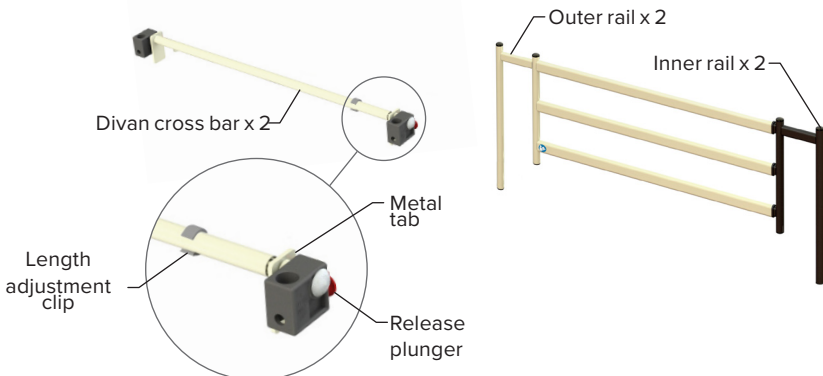
### 4. PART IDENTIFICATION

The package contents are shown below, please ensure you have all parts shown that are relevant to your product type before attempting to fit the side rails to the bed.

#### 4.1 Standard Variant



#### 4.2 Divan Variant



## 5. FITTING THE SIDE RAILS

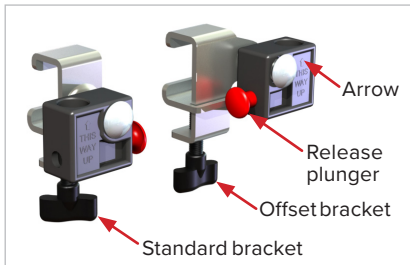
### 5.1 Standard Variant



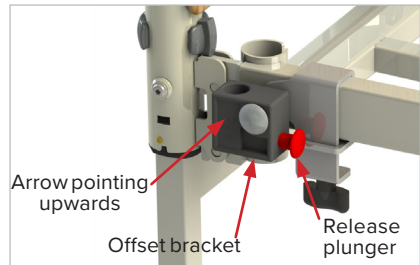
Warning

If there is any doubt about the fitting of the side rails contact the provider of the equipment or Drive DeVilbiss Healthcare Ltd., incorrectly fitted side rails can lead to death.

1. Select two brackets, one offset bracket and one standard bracket. The brackets are handed and must be used on a specific side of the bed. Note the correct orientation of the arrow and release plungers on the brackets during installation.
2. Hook one of the offset brackets onto the appropriate side of the mattress platform at the head end of the bed. Ensure the correct bracket is used by checking that the arrow is pointing upwards when the release plunger is facing away from the headboard.

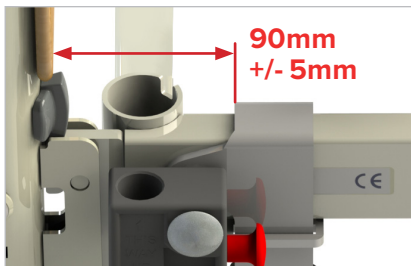


5.1.1 Bracket selection

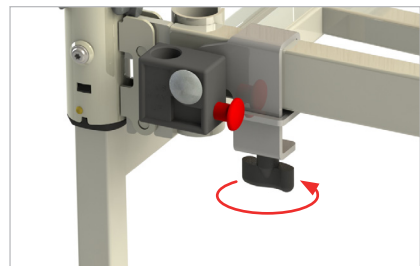


5.1.2 Offset bracket positioning

3. If the side rails are being fitted to the Solite range of beds, ensure the metal clamp on the offset bracket is located 90mm +/-5mm from the head board. If the side rails are not being fitted to the Solite range of beds, follow the guidelines in step 8 for correct bracket and side rail positioning.
4. Fully tighten the offset bracket hand wheel to secure the offset bracket to the head end mattress platform side tube.

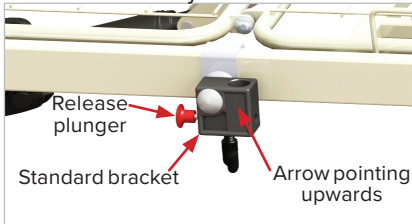


5.1.3 Offset bracket positioning



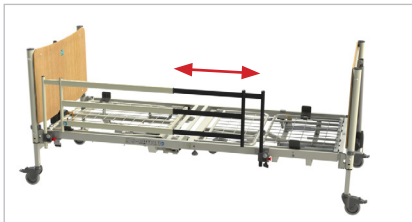
5.1.4 Tightening offset bracket hand wheel

- Hook one of the standard brackets onto the foot end of the mattress platform. Ensure the correct bracket is used by checking that the arrow is pointing upwards when the release plunger is facing away from the footboard. Do not fully tighten the hand wheel on the standard bracket yet.



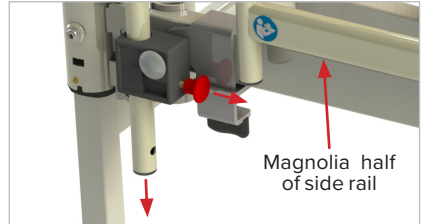
5.1.5 Standard bracket positioning

- Raise the side rail until it latches in the raised position at both the head and the foot end. With the foot end bracket loosened, adjust the length of the side rail as desired.



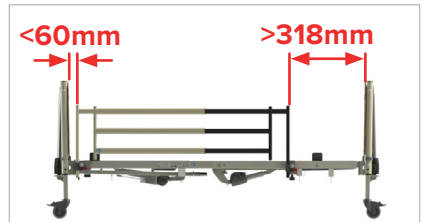
5.1.7 Side rail length adjustment

- Pull the release plungers on each bracket and slide the side rail into the brackets. Ensure the magnolia half of the side rail is positioned at the head end of the bed.



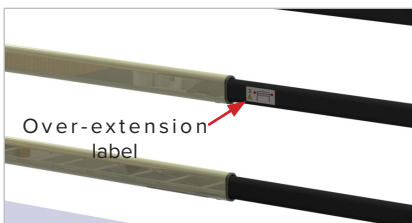
5.1.6 Inserting side rail into brackets

- IMPORTANT!** The gaps between the side rail and the bed ends are critical; the gap between the side rail and the head end must be **less than 60mm**, and the gap between the side rail and the foot end must be **greater than 318mm**.



5.1.8 Side rail gapping

- Ensure the over-extension label is not visible on the inner section of the side rail. If the label is visible, the side rail must be retracted until the label is no longer visible.



5.1.9 Over-extension label

- Fully tighten the foot end bracket hand wheel to secure the side rail in position, ensuring the bracket is not fouling with any part of the bed frame, such as welds or fixings. Repeat the procedure with the remaining side rail on the other side of the bed.



5.1.10 Both side rails fitted

## 5.2 Divan Variant

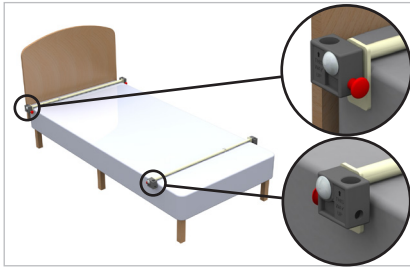


**Warning**

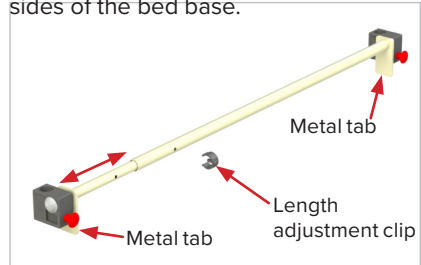
If there is any doubt about the fitting of the side rails contact the provider of the equipment or Drive DeVilbiss Healthcare Ltd., incorrectly fitted side rails can lead to death.

Before beginning the assembly process to fit the divan variant of Grange side rails to the bed, remove the mattress from the bed base.

1. Place the two cross bars onto the base of the bed. Ensure the arrows on each bracket are pointing upwards and the red release plungers are facing inwards towards each other.
2. Adjust the cross bar length to suit the width of the bed base by removing the clip that sets the length, extending the cross bar, and re-inserting the clip into the suitable hole for the bed base width. The metal tabs should 'hug' the sides of the bed base.



5.2.1 Placing cross bars onto base



5.2.2 Adjusting cross bar length



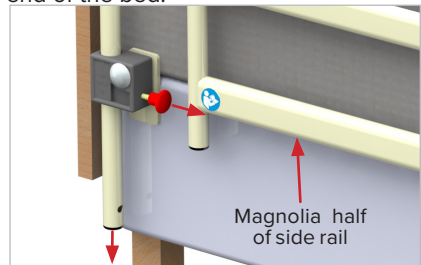
**Warning**

- Ensure the clip is reinserted and the extending cross tube is fixed in place - Risk of entrapment and asphyxiation.
- If the cross bars cannot be adjusted so that the tabs are a close fit to the bed base width, the combination is incompatible and could pose a risk to the patient - Contact your equipment provider.

3. Place the mattress on top of the cross bars.
4. Pull the release plungers on each bracket and slide the side rail into the brackets. Ensure the magnolia half of the side rail is positioned at the head end of the bed.



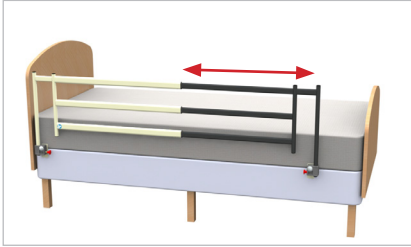
5.2.3 Fitting mattress



5.2.4 Inserting side rail into brackets

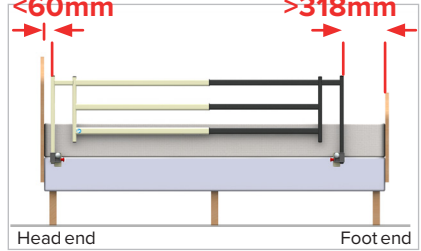


5. Raise the side rail until it latches in the raised position at both the head and the foot end. Adjust the length of the side rail as desired by repositioning the foot end cross bar down the length of the bed, ensuring the metal tabs hug the bed base.



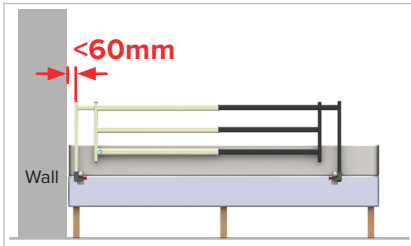
5.2.5 Side rail length adjustment

6. **IMPORTANT!** The gaps between the side rail and the bed ends (if present) is critical; the gap between the side rail and the head end must be **less than 60mm**, and the gap between the side rail and the foot end must be **greater than 318mm**.



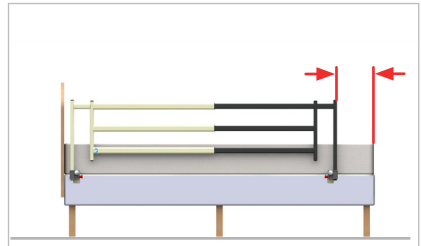
5.2.6 Side rail gapping

7. **IMPORTANT!** If the bed does not have a headboard, the head end of the bed should be pushed firmly up against the wall with the gap between the side rail and the wall being less than 60mm.



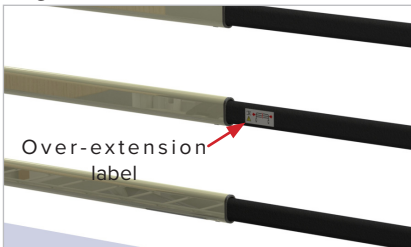
5.2.7 Side rail head end gapping - No headboard

8. **IMPORTANT!** If there is no footboard, the gap between the foot end of the bed and the side rail is at the carers discretion following a suitable patient risk assessment, ensuring that the over-extension label is not visible on the inner section of the side rail.



5.2.8 Side rail foot end gapping - No footboard

9. Ensure the over-extension label is not visible on the inner section of the side rail. If the label is visible, the side rail must be retracted until the label is no longer visible.



5.2.9 Over-extension label

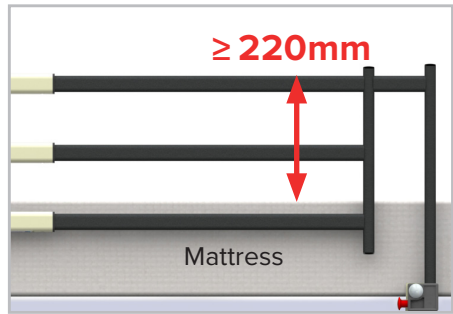
10. Repeat the procedure for the remaining side rail for the other side of the bed.



5.2.10 Both divan side rails fitted

## 6. GENERAL WARNINGS BEFORE USE

When the side rails (standard or divan variant) and specified mattress are correctly fitted to the bed, ensure the distance between the top of the uncompressed mattress and the top of the side rail when raised is greater than or equal to 220mm.



6.1≥220mm Measurement



**Warning**

- If the dimension from the top of the uncompressed mattress to the top of the side rail when raised does not measure at least 220mm, the side rail and mattress combination is incompatible and could pose a risk to the patient - Contact your equipment provider.
- The over-extension label must not be visible - Over extended side rails pose a risk of entrapment.
- If side rails are fitted to a non-compatible bed frame and / or used in conjunction with a non compatible mattress an unacceptable hazard could be created - Ensure at all times that the gaps around the side rails follow the requirements stated in section 5.
- When fitting bedding ensure no parts of the side rail system move. If the parts do move, re-check the gaps for suitability.

## 7. USE

---

1. To lower the side rail from the raised position, pull out the release plunger on each bracket and lower the side rail down until it reaches its lowest position. Do not drop the side rails when lowering.
2. To raise the side rail from the lowered position, lift the side rail up until the release plunger engages and the side rail locks in position.

Note: For side rails fitted to height adjustable beds, Drive DeVilbiss Healthcare Ltd. recommends that for comfortable ingress/egress the bed platform is raised until the top of the side rail is lower than the top of the mattress (bed platform approximately 400mm from floor).



**Warning**

- When lowering the side rail keep feet outside of the bed frame and side rail perimeter - Risk of foot entrapment.
- When raising / lowering the side rails ensure they are free from limbs - Risk of injury / entrapment.
- Ensure the side rails are correctly locked in place at both ends at all times when in the raised position - Risk of injury / entrapment.
- When lowering do not let go of the side rails until fully down - Risk of product damage and possible user injury if side rail is dropped.



**Caution**

- Do not use the side rails to move the bed - Side rail / bed frame could be damaged.
- Do not use the side rails as a positioning or lifting aid - Side rail and / or bed frame could be damaged.

## 8. MAINTENANCE

---

Only authorised service personnel or Drive DeVilbiss Healthcare Ltd. service engineers should carry out repairs or service activities. For Service & Support outside the UK & Northern Ireland please contact the local distribution company from where this equipment was purchased. Failure to do so may result in the manufacturer's warranty becoming void. **The side rails must be serviced/inspected at least once yearly, as a minimum.**

Drive DeVilbiss Healthcare Ltd. recommends that the carer performs frequent visual and operational inspections. If there are any signs of damage, missing parts, or the side rails are not performing as they should withdraw them from service until they have been repaired and are fit for use again.

Periodically check to ensure that:

- The side rails raise and lower smoothly.
- The locks on the side rails automatically engage when the side rails are raised.
- All fixtures and fittings are tight.
- The product operates as per its intended purpose.
- The plastic mouldings are mechanically sound; no sign of cracking or damage.
- The metal fabrications are mechanically sound; no sign of cracked weld, cracked paint, or deformation.
- No parts show signs of excessive wear.
- If any gaps appear to be outside of specification remove the side rails from use until the gap in question has been confirmed and rectified where appropriate.
- Ensure the side rails are complete, missing parts should be replaced before the side rails are used.
- The side rails are cleaned following the guidelines in these instructions for use.

Disposal of components must comply with local policy.

## 9. CLEANING

---

It is advisable to remove the side rails from the bed prior to cleaning.

- Wipe down with a disposable soft cloth moistened with a mild detergent and diluted in warm water (40°C).
- Rinse with cold, clean water and a clean cloth, and allow to fully dry before use.

If the product becomes soiled and the need to thoroughly disinfect is required, please refer to the bed's instructions for use for full decontamination detail. Alternatively, contact Drive DeVilbiss Healthcare Ltd. using the contact details provided.

## 10. SPECIFICATION

	Grange standard side rails	Grange divan side rails
Product code	GRANGE/SR	GRANGE/D/SR
Overall side rail length (min)	1125mm	
Overall side rail length (max)	1615mm	
Overall side rail height	535mm	
Overall side rail depth	85mm	
Height of top rail (when raised)	395mm (above mattress platform)	430mm (above divan bed base)
Height of top rail (when lowered)	55mm (above mattress platform at a bed height of 415mm)	Dependent on divan bed specification
Side rail depth (from outside of mattress platform)	55mm	
Product weight	2 x 5.5kg (side rails)	2 x 5.5kg (side rails) 2 x 1.5kg (cross bars)

The Grange standard side rails are in conformance to the gapping requirements of IEC 60601-2-52 when used in conjunction with compatible bed frames and mattresses, refer to the respective bed's instructions for use for compatibility information or alternatively contact the provider of the equipment or Drive DeVilbiss Healthcare Ltd.

To ensure conformance of the Grange divan side rails to the gapping requirements of IEC 60601-2-52, Drive DeVilbiss Healthcare Ltd. recommends the product is used with the following divan bed specification:

Divan mattress width:	915mm
Divan mattress depth:	190mm
Divan base depth:	380mm
Top of mattress from floor:	570mm



**Warning**

Drive DeVilbiss Healthcare Ltd. cannot be held responsible for any incidents resulting from product incompatibility between the side rails and the divan mattress and base, - If in doubt contact the provider of the equipment or Drive DeVilbiss Healthcare Ltd., incorrectly fitted and incorrectly specified side rails can lead to death.

## WARRANTY

---

Drive DeVilbiss Healthcare Ltd. warrants that this product will perform in accordance with its specification and will remain free from defects in material and workmanship when used under normal conditions for a period of 1 year (1 year full parts and labour) from the date of purchase from Drive DeVilbiss Healthcare Ltd. and its subsidiary companies. If purchased from an authorised dealer or international distributor, the product is warranted for 1 year parts only. DRIVE DEVILBISS HEALTHCARE LTD. MAKES NO OTHER WARRANTIES, EXPRESS OR IMPLIED, AND ALL IMPLIED WARRANTIES OF MERCHANTABILITY, NON-INFRINGEMENT AND FITNESS FOR A PARTICULAR PURPOSE ARE HEREBY DISCLAIMED. IN NO EVENT WILL DRIVE DEVILBISS HEALTHCARE LTD. BE LIABLE FOR PUNITIVE, SPECIAL OR CONSEQUENTIAL DAMAGES, OR FOR AN AMOUNT IN EXCESS OF THE PURCHASE PRICE OF THE DEFECTIVE DRIVE DEVILBISS HEALTHCARE LTD. PRODUCT OR PRODUCTS.

Proof of purchase must be presented with any claim. Except as provided herein, this warranty will not apply to any Drive DeVilbiss Healthcare Ltd. products that have been (a) damaged by lightning, water, or power surges, (b) neglected, altered, abused, or used for a purpose other than the purpose for which they were designed, (c) repaired by you or any other party without Drive DeVilbiss Healthcare Ltd. prior written authorisation, (d) used in conjunction with a third party product or products not approved in advance by Drive DeVilbiss Healthcare Ltd., (e) damaged or failed by or attributes to acts of God, (f) damaged, caused by failure to follow instructions, or (g) otherwise used in a manner inconsistent with any instructions provided by Drive DeVilbiss Healthcare Ltd. The warranty explicitly exempts consumable items.

This warranty contains the entire agreement between you and Drive DeVilbiss Healthcare Ltd. with respect to any warranty matters, and supersedes any and all other written or oral statements, representations or agreements relating to the subject matter of this warranty.

In the event of a product defect during the warranty period you should contact your supplier, whether it be Drive DeVilbiss Healthcare Ltd., its subsidiary companies, authorised dealers or international distributors who will at their option unless otherwise provided by law; a) correct the defect by product repair within the terms of the warranty b) replace the product with one of the same or similar design or c) refund the purchase price. All replaced parts and products on which a refund is made become the property of Drive DeVilbiss Healthcare Ltd. Repaired or replaced parts and products are warranted for the remainder of the original warranty period. You will be charged for repair or replacement of the product made after the expiration of the warranty period.

This limited 1 year warranty gives you specific legal rights and you may also have other rights.

All products carry the CE mark in accordance with EC Directive on Medical Devices (93/42/EEC).

Drive DeVilbiss Healthcare Ltd. has a policy of continual product improvement and reserves the right to amend specifications covered in this document.

No part of this document may be reproduced without the written approval of Drive DeVilbiss Healthcare Ltd.



**drive**

**DeVilbiss**  
HEALTHCARE

CONTACT INFORMATION

Tel: +44 (0) 845 0600 333 Fax: +44 (0) 845 0600 334

Email: [info@drivedevilbiss.co.uk](mailto:info@drivedevilbiss.co.uk)

[www.drivedevilbiss.co.uk](http://www.drivedevilbiss.co.uk)

Drive DeVilbiss Healthcare Ltd., Sidhil Industrial Estate,  
Holmfield, Halifax, West Yorkshire, HX2 9TN, UK

A member of the Drive DeVilbiss Group of Companies

